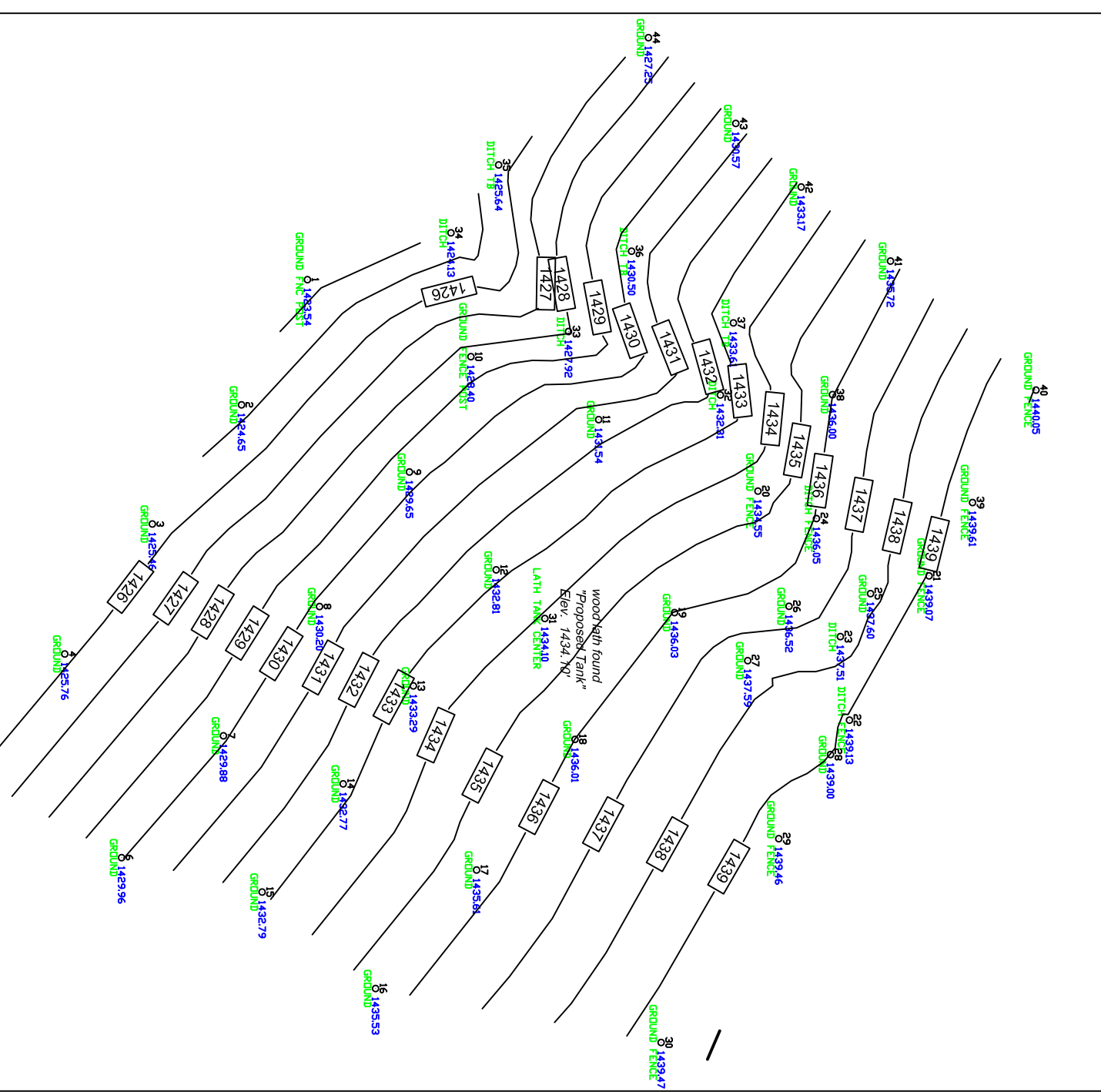
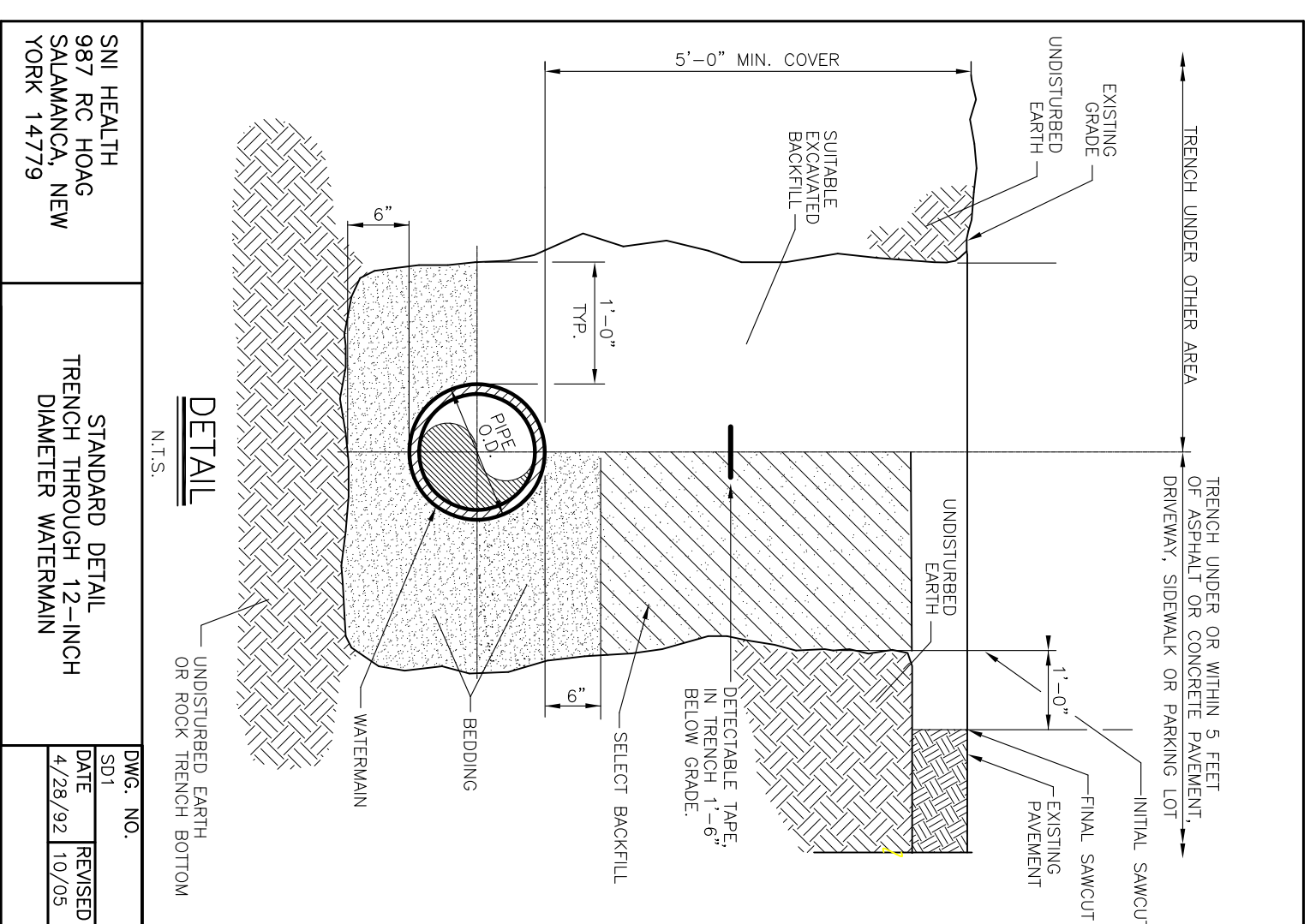


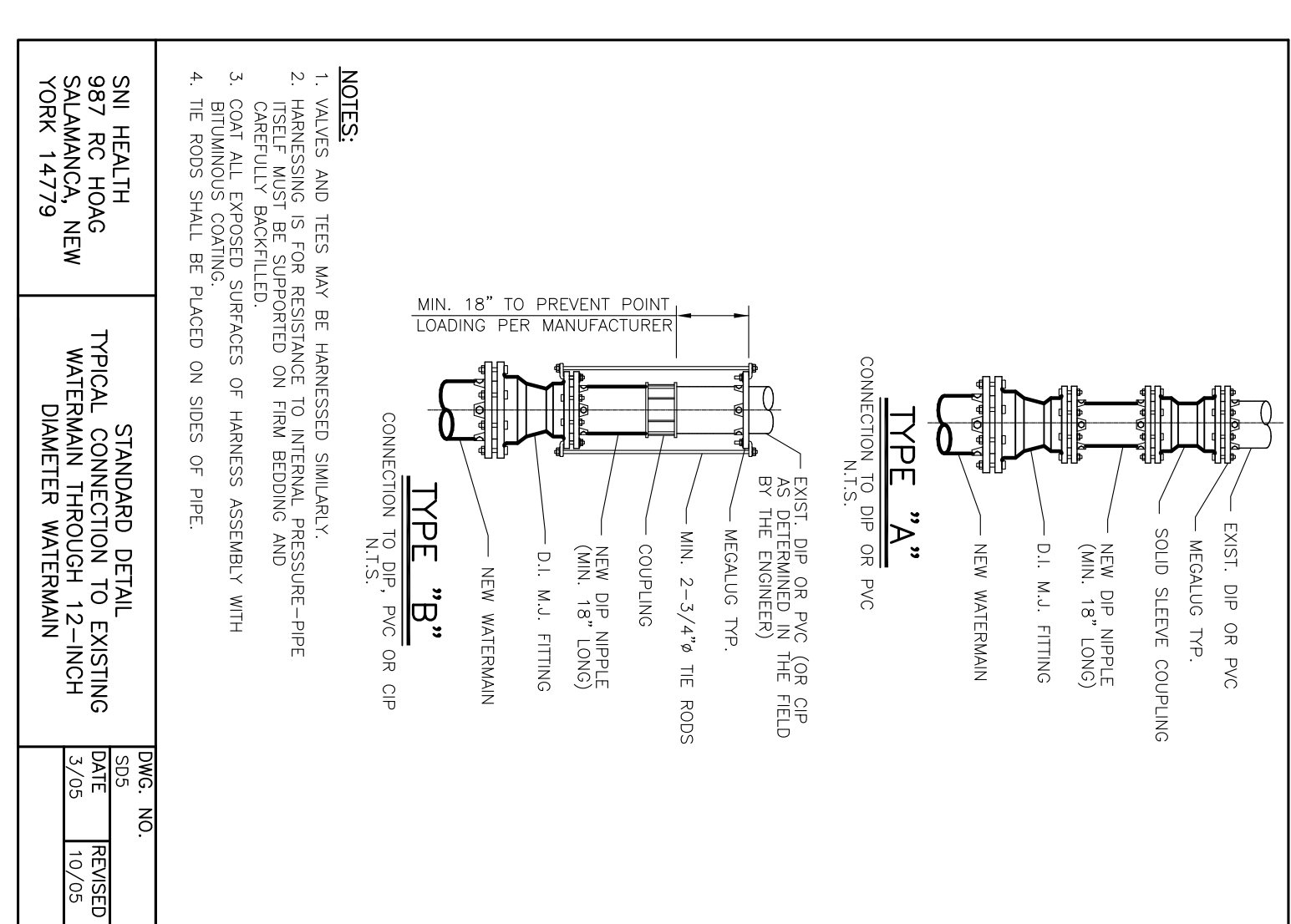
PROPOSED SITE TOPOGRAPHY  
N.T.S.



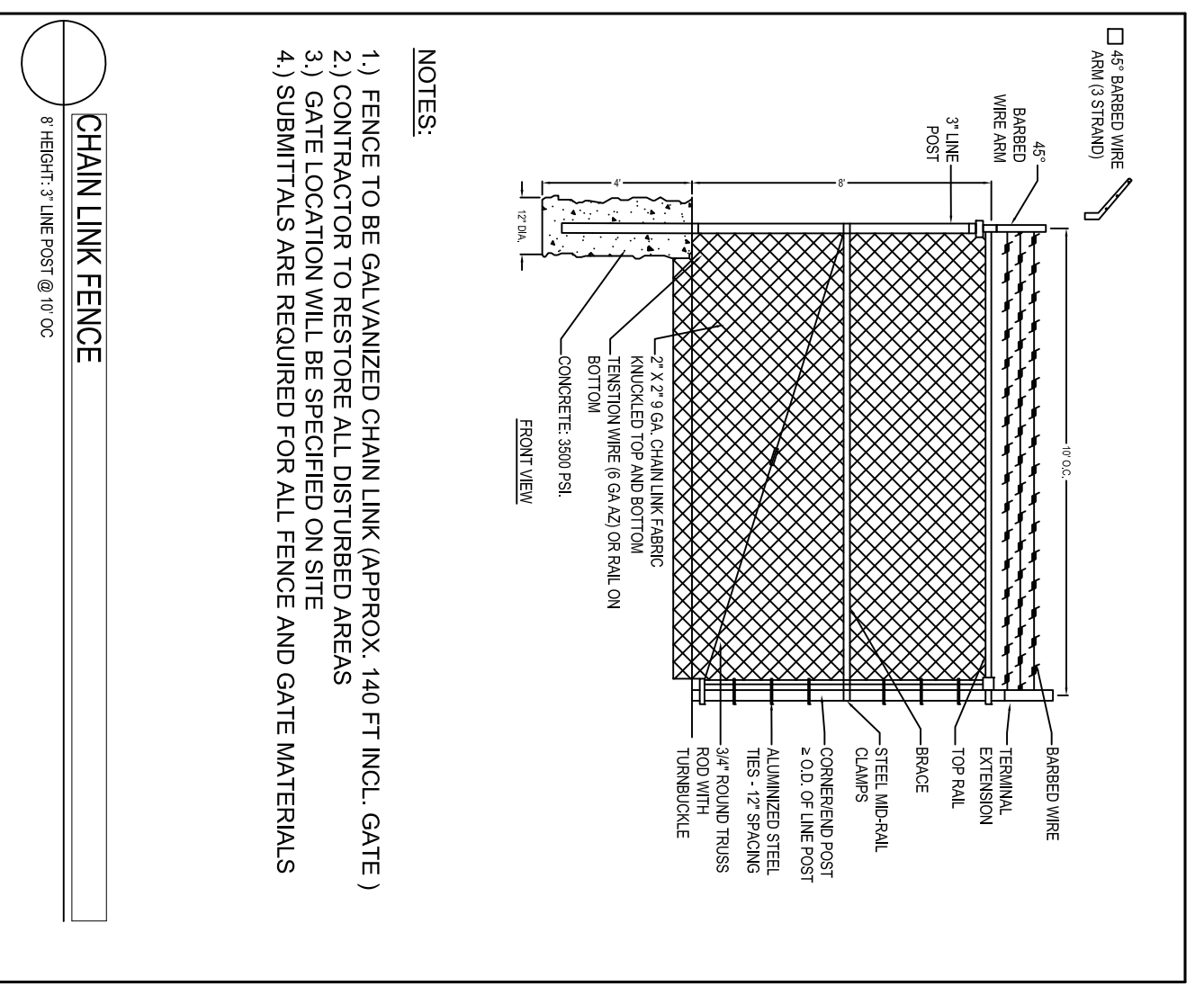
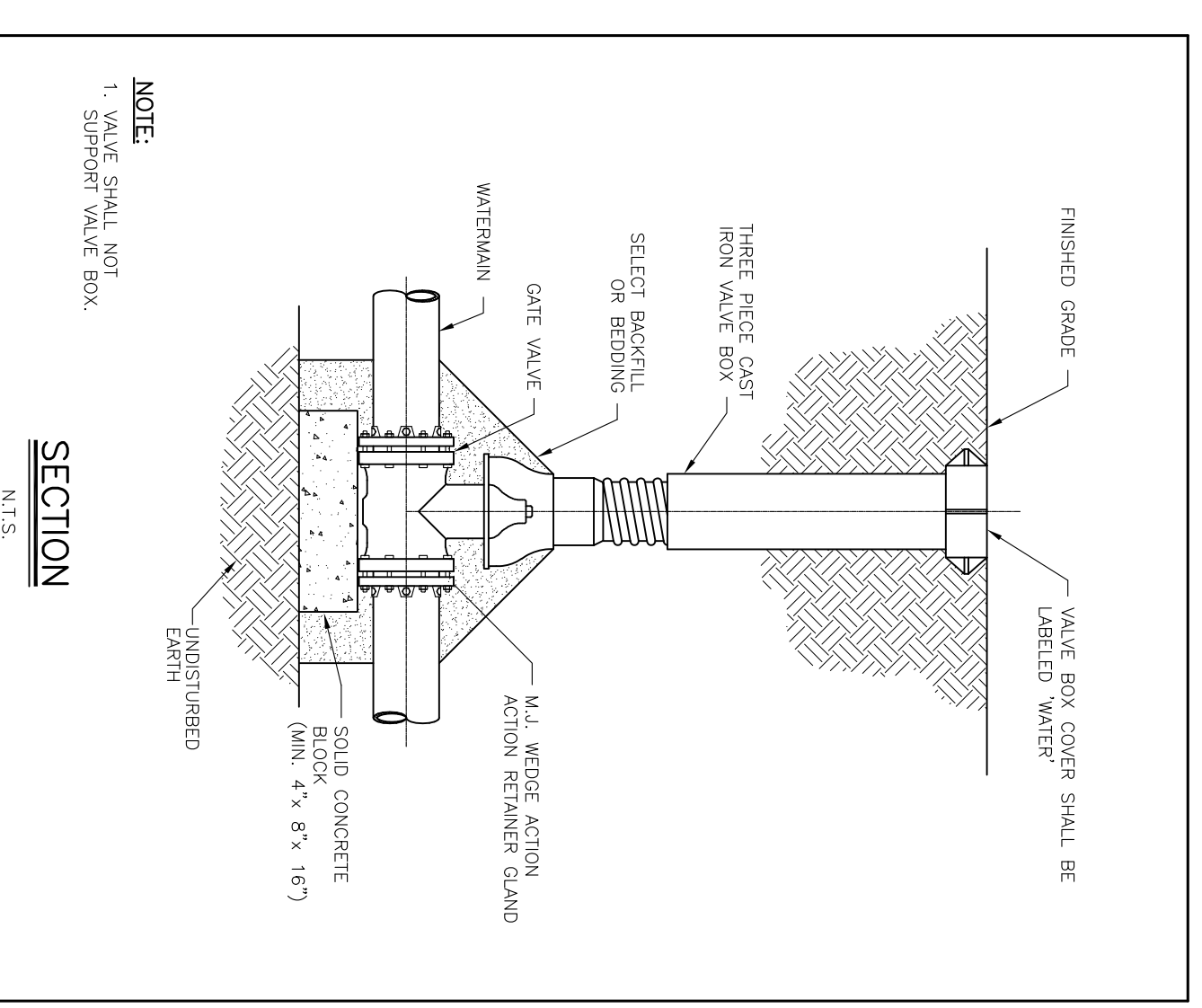
EXISTING SITE TOPOGRAPHY  
N.T.S.



SNH HEALTH  
987 RC HOAG  
SALAMANCA, NEW  
YORK 14779  
STANDARD DETAIL  
TRENCH THROUGH 12-INCH  
DIAMETER WATERMAIN  
N.T.S.  
DWG. NO. 5029  
DATE 7/05  
REVISED 10/09



SNH HEALTH  
987 RC HOAG  
SALAMANCA, NEW  
YORK 14779  
STANDARD DETAIL  
TYPICAL CONNECTION TO EXISTING  
WATERMAIN THROUGH 12-INCH  
DIAMETER WATERMAIN  
N.T.S.  
DWG. NO. 5028  
DATE 7/05  
REVISED 10/09



- NOTES:**
- 1) FENCE TO BE GALVANIZED CHAIN LINK (APPROX. 140 FT INCL. GATE)
  - 2) CONTRACTOR TO RESTORE ALL DISTURBED AREAS
  - 3) GATE LOCATION WILL BE SPECIFIED ON SITE
  - 4) SUBMITTALS ARE REQUIRED FOR ALL FENCE AND GATE MATERIALS
- NOTES:**
1. The CONTRACTOR shall obtain all necessary permits and furnish copies to the ENGINEER prior to any excavation.
  2. The CONTRACTOR shall provide maintenance and protection of traffic in accordance with the NYSDOT Manual of Uniform Traffic Control Devices.
  3. The location and depth of existing underground utilities shown on the plans and profiles shall be confirmed by the CONTRACTOR. The CONTRACTOR shall verify the location and depth of the utilities by using a utility locator. The CONTRACTOR shall verify the location and depth of the utilities by using a utility locator. The CONTRACTOR shall verify the location and depth of the utilities by using a utility locator.
  4. The CONTRACTOR shall install these measures required to limit erosion of areas disturbed by excavation.
  5. Erosion control measures shall be installed on an as needed basis, placed to reduce erosion potential and silt impact.
  6. The CONTRACTOR shall have all equipment, manpower, and materials required on site and ready for use prior to commencing any shut-down or removing any existing facilities from service. The CONTRACTOR shall notify all affected customers of any shut-down or removal of service in advance. The CONTRACTOR shall notify the appropriate utility companies and shall be held in building or plastic. Any shut-downs shall be limited to 4 consecutive hours. If more than 4 consecutive hours are required, the CONTRACTOR shall notify the appropriate utility companies in advance of the shut-down. The CONTRACTOR shall notify the appropriate utility companies in advance of the shut-down. The CONTRACTOR shall notify the appropriate utility companies in advance of the shut-down.
  7. All watermain piping shall be installed with a minimum of 5'-0" of cover.
  8. All watermain piping shall be installed with a minimum of 1'-6" of vertical clearance and 10'-0" of horizontal clearance from sanitary and storm piping, measured from the outside of the pipe at the point of crossing.
  9. If the material at the design grade is unsuitable as determined by the ENGINEER, the CONTRACTOR, when ordered in writing, shall excavate additional material to the depth necessary and shall backfill to the proposed grade with select granular material.
  10. The installation of 90 degree bends in the watermain is not allowed, unless approved by the SNH Health Engineer.

**NOTES:**

11. Three feet for watermain piping through 12-inch diameter shall consist of three boxes and pipe joint sections.
12. The CONTRACTOR shall notify the owner of any utility pole in advance of any excavation work that will take place within 5'-0" of the utility pole. The CONTRACTOR shall include the location and depth of the utility pole on the plans and profiles. The CONTRACTOR shall include the location and depth of the utility pole on the plans and profiles.
13. If materials are encountered during the construction that are suspected of being contaminated, the CONTRACTOR shall immediately notify the SNH EPD for direction regarding testing, separation, containment and disposal procedures.
14. The CONTRACTOR shall not restrict school bus access.

PIPE DIAMETER (in)	PIPE MATERIAL	WORKING PRESSURE (psi)	TEST PRESSURE (psi)
8	DIP	52	150
6	DIP	52	100
4	DIP	52	100



SNH HEALTH  
987 RC HOAG  
SALAMANCA, NEW  
YORK 14779  
STANDARD DETAIL  
OVERFLOW DETAIL  
N.T.S.  
DWG. NO. 5030  
DATE 7/05  
REVISED 10/09